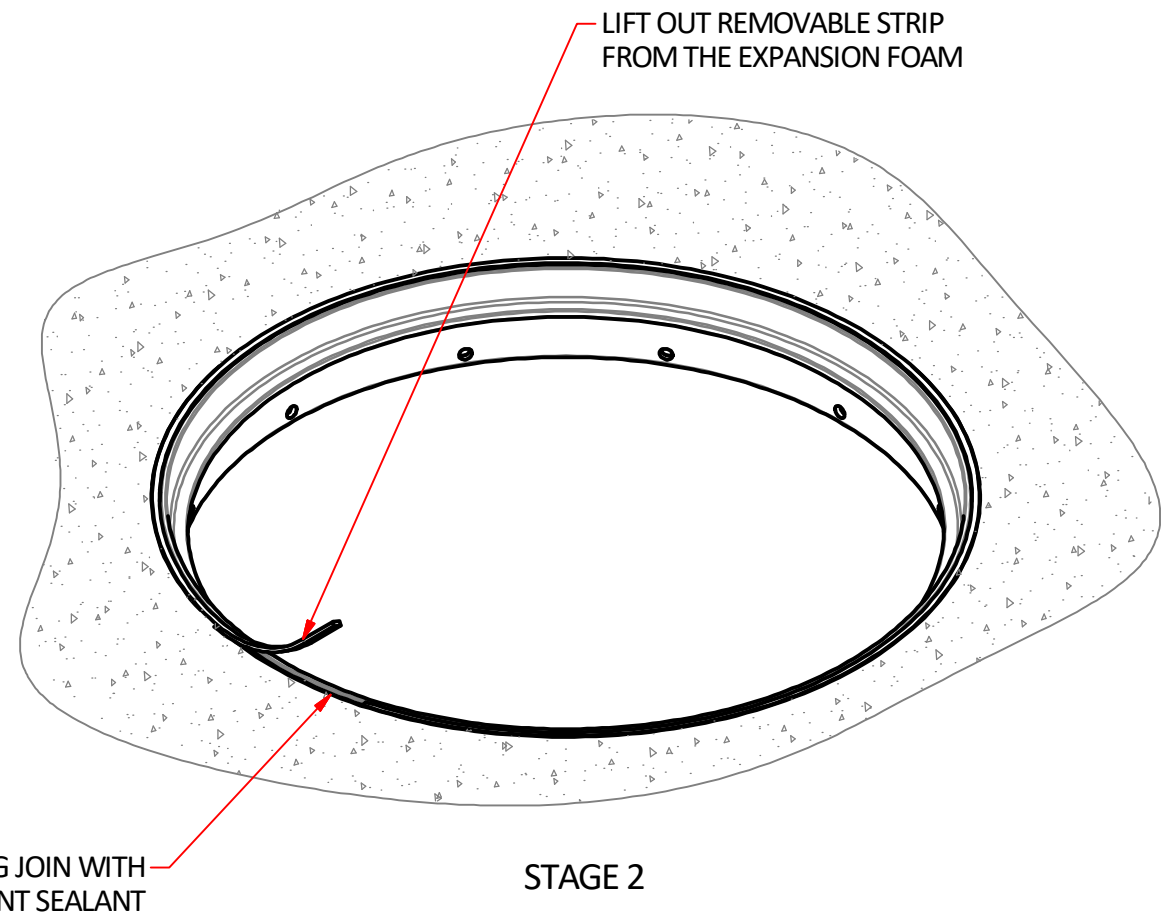
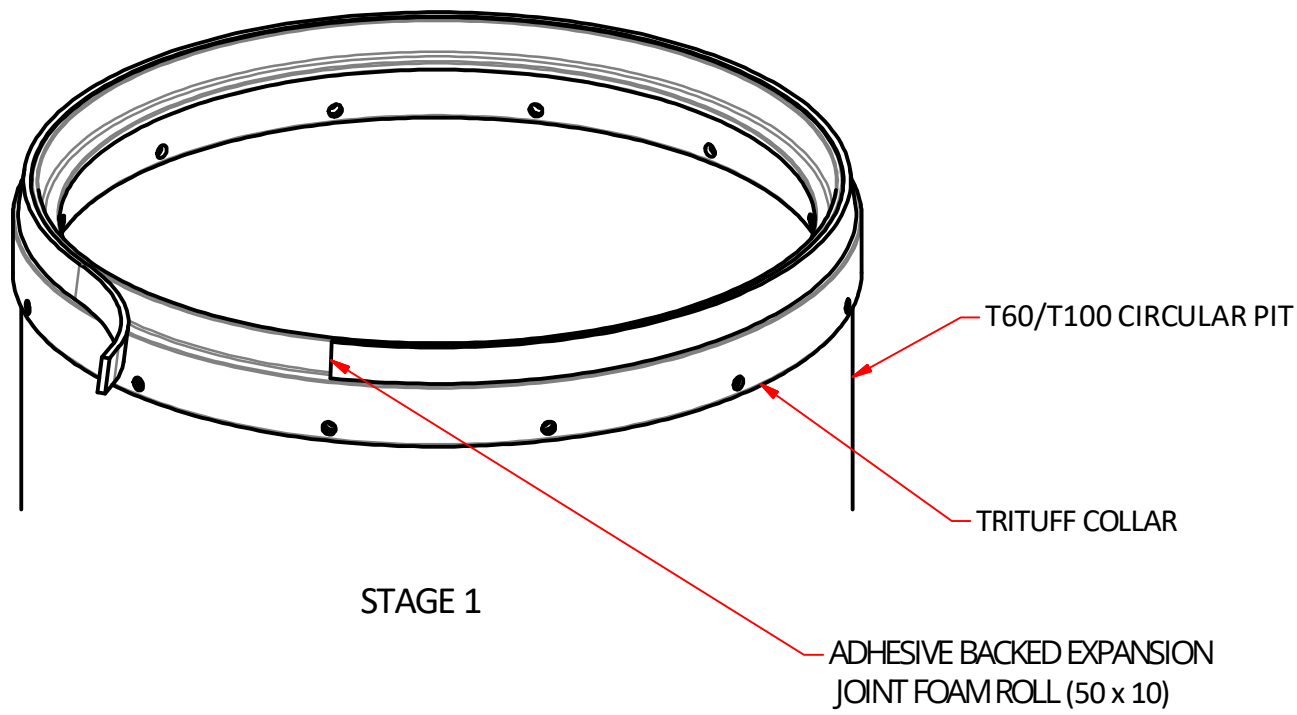
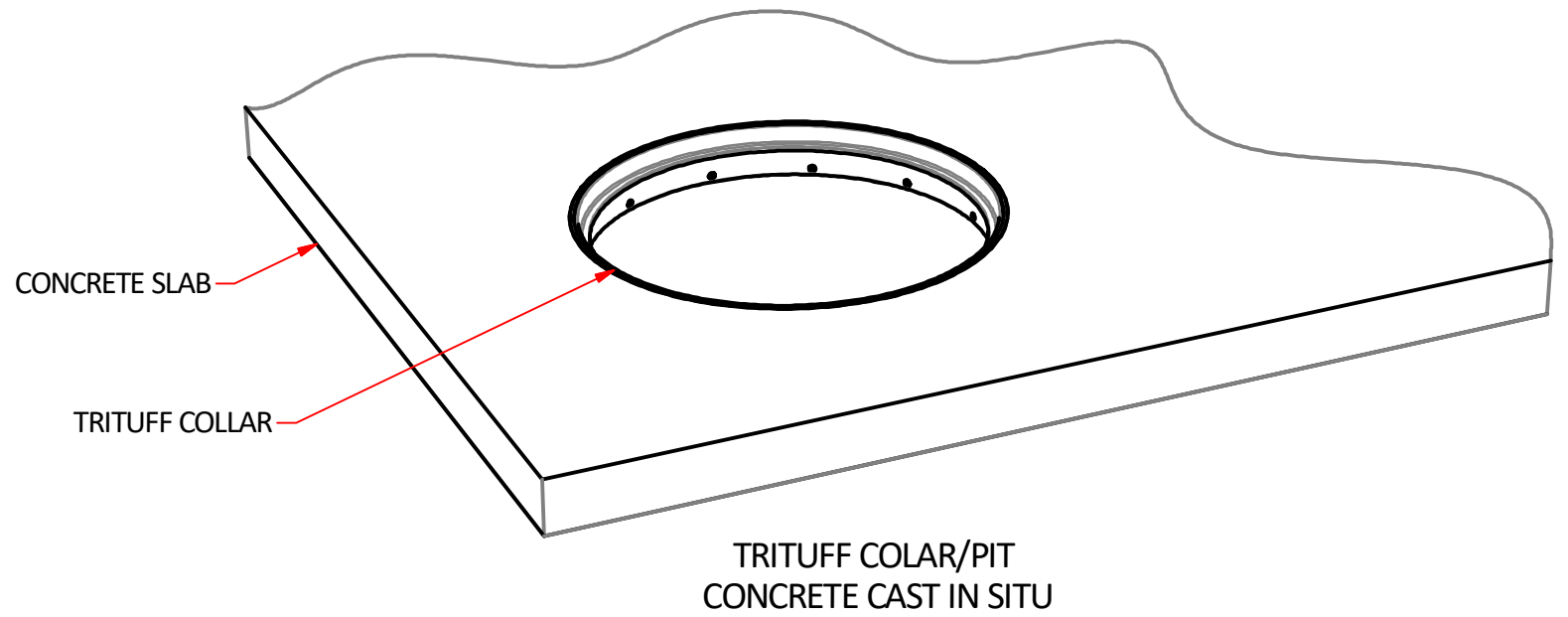


NOTES:

1. FIT ADHESIVE BACKED EXPANSION JOINT FOAM ROLL (WITH REMOVABLE TOP STRIP) TO THE UPPER OUTER EDGE OF THE COLLAR WITH REMOVEABLE STRIP FACING UPWARDS.
2. AFTER CONCRETE IS SET REMOVE THE STRIP FROM THE TOP OF THE EXPANSION FOAM AND SEAL JOIN BETWEEN CONCRETE AND COLLAR WITH NON SHRINKING JOINT SEALANT



Copyright: TRI Underground Australia Pty Ltd

This instruction and all the information herein is the property of TRI Underground PTY LTD. It must not be copied, made public or used directly or indirectly, including manufacture of the product shown herein, without written approval. This instruction is loaned subject to these conditions and subject to return on demand.

Commercial in confidence



Material NA	Designed by IMD	Checked by JG	Approved by	Date 1/06/2022	Date 22/01/2022
Weight NA	TRI Underground Australia			Title TRITUFF COLLAR CONCRETE CAST IN SITU	
Finish NA				Dwg No. TRITUFFCCC	Edition A